

## Eyesaver® Widespread Laboratory Faucet with Integrated Eyewash

### MODELS:

- SEF-1800: Widespread Laboratory Faucet with Integrated Eyewash
- SEF-1800-8: Widespread Laboratory Faucet with Integrated Eyewash and 8 in. Spout

### EYEWASH FEATURES:

- Independent water channel for eyewash
- Single lever cartridge
- Lift handle activation
- (2) Dedicated Optimus® aerated eyewash sprays with flip top dust cap
- 2.4 GPM (9.0 L/min) max flow rate
- Inlet supply 3/8" Compression Male

### FAUCET FEATURES:

- Low-lead brass construction
- Swivel spout positioning up to 100 degrees
- 1/4 turn ceramic cartridges
- 1.2 GPM (4.5 L/min) flow rate
- Inlet supply 1/2-14 NPSM male
- Corrosion resistant finish

### EYEWASH ADD-ONS:

- A-SEF-NA: Non-aerated eyewash outlets
- SEF-TW: Thermostatic mixing valve for tepid water during eyewash usage

### FAUCET ADD-ONS:

- A-SEF-BOLF: 0.5 GPM (1.89 L/min) faucet flow control and 1.5 GPM (5.7 L/min) laminar faucet flow control kit
- A-SEF-ST: Serrated tip for faucet with vacuum breaker (Not NSF 61/372 compliant)
- A-TMV: Thermostatic mixing valve for tepid water during faucet usage

### STANDARDS:

- ANSI/ISEA Z358.1 certified
- ASME A112.18.1/CSA B125.1 certified
- IGC 272 certified
- NSF/ANSI 61 certified
- NSF/ANSI 372 certified
- ADA compliant

### WARRANTY:

Visit [www.speakman.com](http://www.speakman.com) for full product warranty information

- 3 Year Limited Warranty (commercial)

All dimensions are in inches (millimeters) unless otherwise specified and are subject to change without notice.

Architect/Engineer Approval Space:

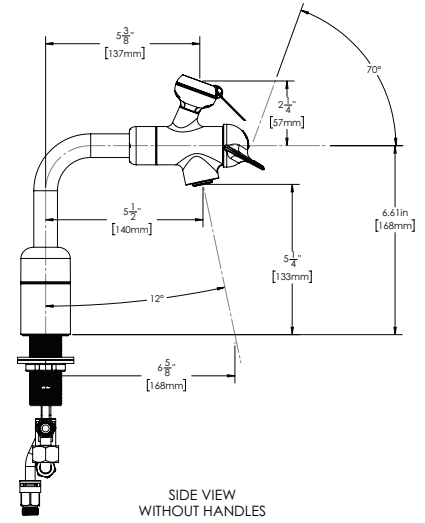
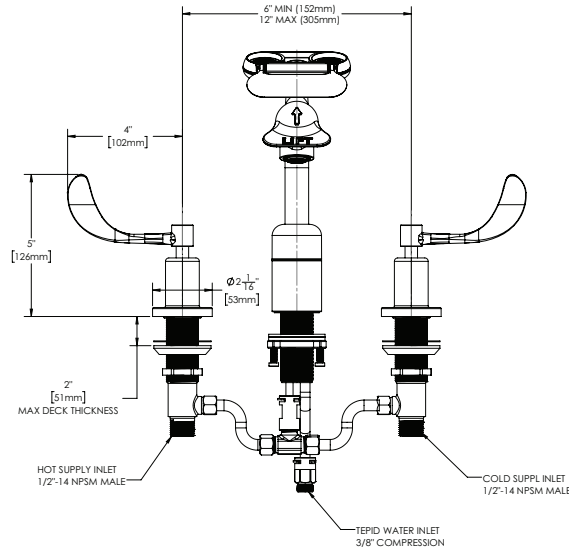


Information continues on next page

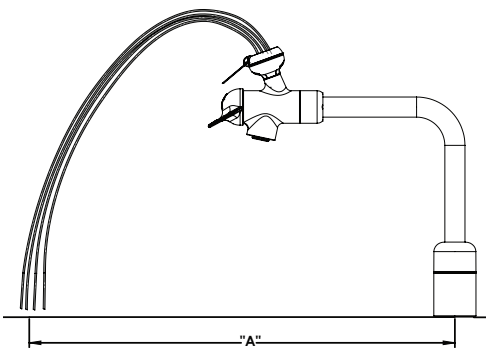
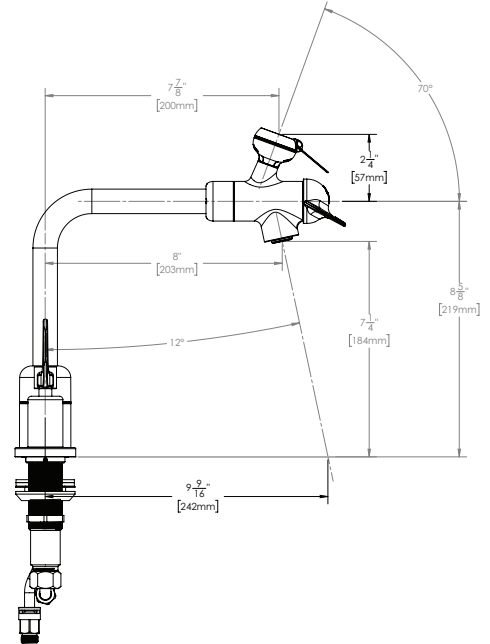
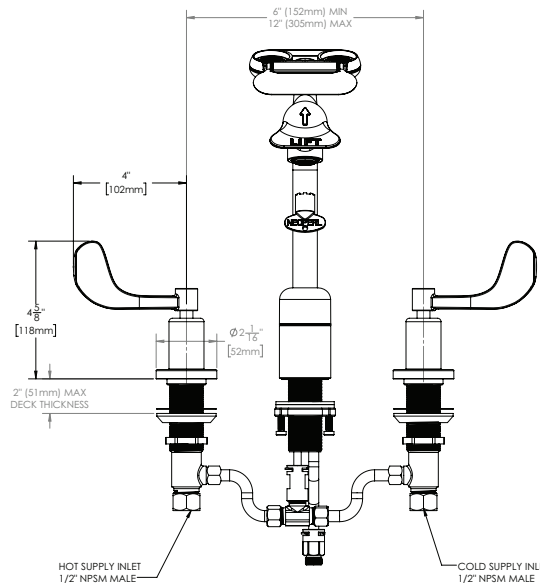
<p><b>ENSURE YOU ARE ANSI/ISEA Z358.1 Tepid Water Compliant</b> by incorporating Speakman's 9.7 GPM Thermostatic Mixing Valve.</p>	
	<ul style="list-style-type: none"> <li>• <b>STW-370:</b> Thermostatic Mixing Valve (valve only)</li> <li>• <b>SEF-TW:</b> Thermostatic Mixing Valve with necessary connections for SEF products</li> </ul>

## Eyesaver® Widespread Laboratory Faucet with Integrated Eyewash

SEF-1800



SEF-1800-8



SEF-1800					
FLOWING PRESSURE		FLOW RATE		FLUME DISTANCE "A"	
psi	bar	gpm	L/m in	in.	cm
30	2.07	19	7.2	9.5	24.3
40	2.76	2.1	7.9	10.5	26.67
50	3.45	2.2	8.3	10.65	27.31
60	4.14	2.1	7.9	10.5	26.67
70	4.83	2.2	8.3	11	27.94
80	5.52	2.3	8.7	11.5	29.21

SEF-1800-NA					
FLOWING PRESSURE		FLOW RATE		FLUME DISTANCE "A"	
psi	bar	gpm	L/m in	in.	cm
30	2.07	19	7.2	9.5	24.3
40	2.76	2.1	7.9	10.5	26.67
50	3.45	2.2	8.3	10.65	27.31
60	4.14	2.1	7.9	10.5	26.67
70	4.83	2.2	8.3	11	27.94
80	5.52	2.3	8.7	11.5	29.21

SEF-1800-8					
FLOWING PRESSURE		FLOW RATE		FLUME DISTANCE "A"	
psi	bar	gpm	L/m in	in.	cm
30	2.07	176	6.7	11.5	29.21
40	2.76	2.03	7.7	13	33.02
50	3.45	2.18	8.3	14	35.56
60	4.14	2.1	7.9	13	33.02
70	4.83	2.1	7.9	13.5	34.29
80	5.52	2.2	8.3	13.75	34.93

SEF-1800-8-NA					
FLOWING PRESSURE		FLOW RATE		FLUME DISTANCE "A"	
psi	bar	gpm	L/m in	in.	cm
30	2.07	176	6.7	11.5	29.21
40	2.76	2.03	7.7	13	33.02
50	3.45	2.18	8.3	14	35.56
60	4.14	2.1	7.9	13	33.02
70	4.83	2.1	7.9	13.5	34.29
34.93	34.93	34.93	34.93	34.93	34.93

NOTE: If plume heights are low, check to ensure that your supply valves are fully open. If there is a noticeable height difference between the two plumes, remove the aerators and flow controls and remove any debris that would inhibit the flow of water.

All dimensions are in inches (millimeters) unless otherwise specified and are subject to change without notice.

Architect/Engineer Approval Space:

P: 800-537-2107  
 F: 800-977-2747  
 W: WWW.SPEAKMAN.COM  
 R: 05-APRIL 2022